

DC-1100

Intel® Atom™ E3845 Quad Core Compact Size Fanless Computer and 2x Mini-PCle Expansion



Overview

[CONTACT](#)

DC-1100 is a high performance compact size 185mm (W) x 131mm (D) x 54mm (H) system designed with onboard Intel® Atom™ E3845 Quad Core 1.91GHz processor, rich I/O, an unique expansion capability, and supports wide range (9~48V) DC power input. It supports the latest USB 3.0 technology. With features including completely cable-less designed, special heat dissipation, anti-vibration, and industrial components selection, DC-1100 is a ruggedized system that can operate in a harsh environment. A build in voltage protection, reliable DC power input, and reverse power protection make DC-1100 a safety system for industrial applications.

Key Features

- Onboard Intel® Atom™ E3845 Processor Quad Core, 1.91GHz
- 1x DDR3L SO-DIMM Max. Up to 8 GB
- Dual Independent Display from 1x DVI-I and 1x DisplayPort
- 2x Intel® GbE Port Support Wake-on-LAN and PXE
- 1x USB 3.0 & 3x USB2.0
- 4x RS-232/422/485 Port with 5V/12V Power
- 4x Isolated DI, 4x Isolated DO
- 1x 2.5" SATA SSD/HDD Bay
- 1x CFast Card and 1x SIM Card Socket
- 9~48VDC Power Input Support AT/ATX Mode
- 2x Mini-PCle Slot for Wi-Fi, GSM or I/O Expansion
- Universal I/O Bracket for Mini-PCle Expansion
- E-Mark (E13, No.10R-0514062) Certified

Certifications



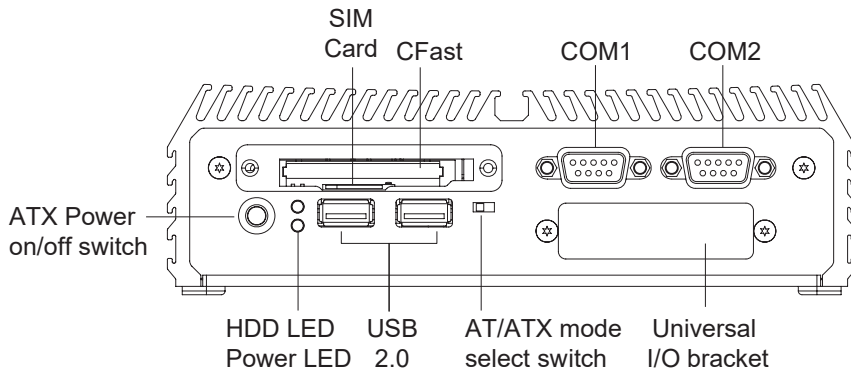
Specifications

Model Name	DC-1100
System	
Processor	<ul style="list-style-type: none"> Onboard Intel® Atom™ Processor E3845 Quad Core, 1.91 GHz
BIOS	<ul style="list-style-type: none"> AMI 64Mbit SPI BIOS
Memory	<ul style="list-style-type: none"> 1x DDR3L 1066/1333 MHz SO-DIMM Sockets Supports Un-buffered and Non-ECC Type Up to 8 GB
Display	
Dual Display	<ul style="list-style-type: none"> 1x DVI-I and 1x DisplayPort (2560 x 1600) 1x DVI-D and 1x VGA (with optional split cable) 1x DisplayPort and 1x VGA (with DVI-I to VGA adapter)
Expansion	
Mini PCIe	<ul style="list-style-type: none"> 2x Full-size Mini PCIe Socket for Wi-Fi / GSM / Expansion Module
Universal I/O Bracket	<ul style="list-style-type: none"> 1x Universal I/O Bracket
Ethernet	
Ethernet	<ul style="list-style-type: none"> 2x Intel® I210 GbE LAN Port, Support Wake-on-LAN and PXE
Audio	
Audio Codec	<ul style="list-style-type: none"> Realtek ALC888S
Mic-in	<ul style="list-style-type: none"> 1x Mic-in and 1x Speak-out
Other Function	
WatchDog Timer	<ul style="list-style-type: none"> software Programmable Supports 256 Levels System Reset
Storage	
SSD/HDD	<ul style="list-style-type: none"> 1x 2.5" SATA SSD/HDD Bay
CFast Socket	<ul style="list-style-type: none"> 1x External CFast Socket
SIM Socket	<ul style="list-style-type: none"> 1x External SIM Card Socket
I/O	
USB	<ul style="list-style-type: none"> 1x USB 3.2 Gen1 Port 3x USB 2.0 Port
COM	<ul style="list-style-type: none"> 4x DB9 for COM1~4, (Support RS-232/422/485 with Auto Flow Control)
Antenna Hole	<ul style="list-style-type: none"> 2x Antenna Hole
Power Switch	<ul style="list-style-type: none"> 1x Power Switch
AT/ATX Switch	<ul style="list-style-type: none"> 1x AT/ATX Switch
Digital Input & Output	
Digital Input	<ul style="list-style-type: none"> 4x Digital Input (Source Type) <ul style="list-style-type: none"> Input Voltage (Dry Contact): <ul style="list-style-type: none"> Logic 0: Close to GND Logic 1: Open Input Voltage: <ul style="list-style-type: none"> Logic 0: 3V max. Logic 1: 5V min. (DI to COM-)
Digital Output	<ul style="list-style-type: none"> 4x Digital Output <ul style="list-style-type: none"> Supply Voltage: 9~30VDC Sink Current: 200 mA Max. Per Channel

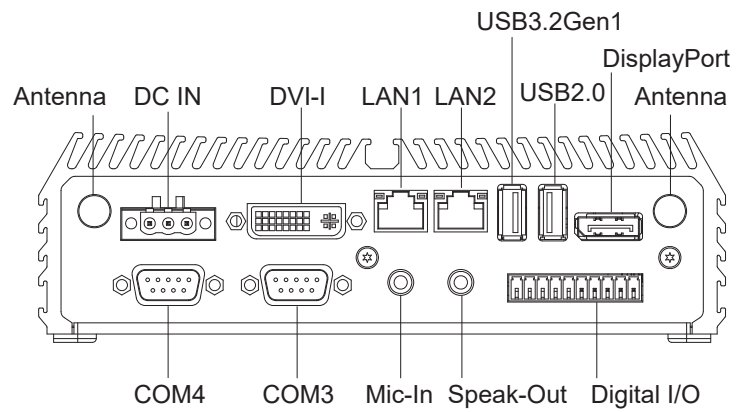
Power	
AT/ ATX Mode	<ul style="list-style-type: none"> • Yes
Power Input	<ul style="list-style-type: none"> • 1x 3-pin Terminal Block Connector with Power Input 9~48VDC
Power Adapter	<ul style="list-style-type: none"> • 1x Optional AC/DC 12V/5A, 60W Power Adapter
Environment	
Operating Temperature	<ul style="list-style-type: none"> • -25°C to 70°C (With extended temperature peripherals; Ambient with Air Flow by IEC60068-2-1, IEC60068-2-2, IEC60068-2-14)
Storage Temperature	<ul style="list-style-type: none"> • -30°C to 85°C
Relative Humidity	<ul style="list-style-type: none"> • 10%~95% (Non-Condensing)
Shock	<ul style="list-style-type: none"> • 50 Grms (With SSD According to IEC 60068-2-27, Half Sine, 11ms Duration)
Vibration	<ul style="list-style-type: none"> • Random: 5 Grms (With SSD According to IEC 60068-2-64, 5~500Hz, 1 hr/axis)
Physical	
Dimension (W x D x H)	<ul style="list-style-type: none"> • 185 x 131 x 56.5 mm
Weight	<ul style="list-style-type: none"> • 1.58 kg
Construction	<ul style="list-style-type: none"> • Extruded Aluminum with Heavy Duty Metal
Mounting	<ul style="list-style-type: none"> • Wall, Optional Side / VESA / DIN-Rail Mounting
Operating System	
Windows®	<ul style="list-style-type: none"> • Windows® 10 • Windows® 8.1 • Windows® 7
Linux	<ul style="list-style-type: none"> • Supports by Project
Environment	
EMC	<ul style="list-style-type: none"> • CE, UKCA, FCC, ICES-003 Class A • E-mark
EMI	<ul style="list-style-type: none"> • CISPR 32 Conducted & Radiated: Class A • EN/BS EN 55032 Conducted & Radiated: Class A • EN/BS EN IEC 61000-3-2 Harmonic current emissions: Class A • EN/BS EN61000-3-3 Voltage fluctuations & flicker • FCC 47 CFR Part 15B, ICES-003 Conducted & Radiated: Class A
EMS	<ul style="list-style-type: none"> • EN/IEC 61000-4-2 ESD: Contact: 4 kV; Air: 8 kV • EN/IEC 61000-4-3 RS: 80 MHz to 1000 MHz: 3 V/m • EN/IEC 61000-4-4 EFT: AC Power: 1 kV; DC Power: 0.5 kV; Signal: 0.5 kV • EN/IEC 61000-4-5 Surges: AC Power: 2 kV; Signal: 1 kV • EN/IEC 61000-4-6 CS: 3V • EN/IEC 61000-4-8 PFMF: 50 Hz, 1A/m • EN/IEC 61000-4-11 Voltage Dips & Voltage Interruptions: 0.5 cycles at 50 Hz

External Layout

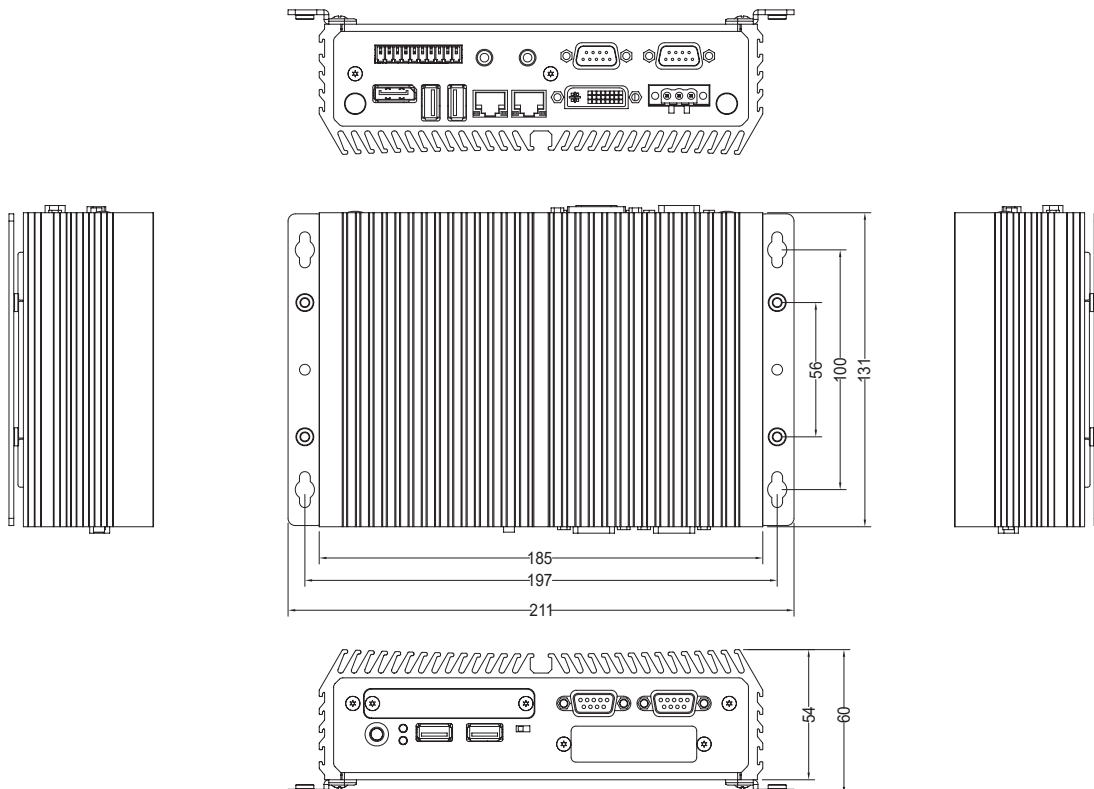
Front I/O



Rear I/O



Dimensions



Unit: mm

Ordering Information

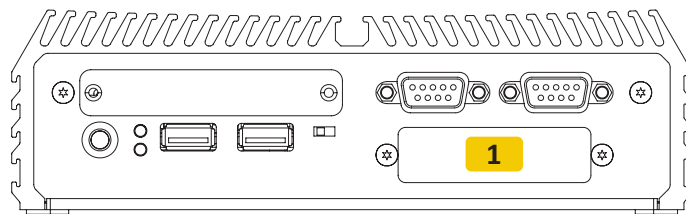
Available Models


Model No.	Description
DC-1100-R10	Intel® Atom™ E3845 Quad Core™ Compact Size Fanless Computer and 2x Mini-PCIe Expansion

Package Checklist

• DC-1100 Embedded System x 1	• DVI-I to VGA Adapter x 1
• DIO Terminal Block Connector x 1	• Screw Pack x 1
• Power Terminal Block Connector x 1	• Wall Mount Kit x 1

Optional I/O Modules



Model No.	Description	1
 MEC-LAN-M102-15 / UB0111	Mini-PCIe Module with 2x LAN Ports, 2x 15cm cable, 1x Universal Bracket with 2x RJ45 Cutout for DC-1100 * Only can be compatible with CFast when MEC-LAN Module is installed.	V

Optional Accessories

Model No.	Description
GST60A12-CIN1	Adapter AC/DC 12V 5A 60W with 3pin Terminal Block Plug 5.0mm Pitch, Level VI
SL2-SL3	US 2 heads power cord, US B type to IEC C13, SVT 18AWG/3C Black 1.8M
SL6-SL3	EU 2 heads power cord, EU G type to IEC C13, H05VV-F 0.75mm2/3G Black 1.8M
QP026-SL3	UK 2 heads power cord, UK I type to IEC C13, H05VV-F 0.75mm2/3G Black 1.8M
VESA-DC	DC series VESA Mount Kit
SIDE-DC	DC series SIDE Mount Kit
DINRAIL-R10	Diamond series DIN-RAIL Mount Kit