

DE-1000

Intel® Atom™ E3845 Quad Core Power Efficient Fanless Computer



Overview

[CONTACT](#)

DE-1000 Series Fanless Embedded PC supports Intel® Bay Trail platform, integrated with Intel® Atom™ E3845 Quad Core 1.91 GHz processor. Delivering the excellent quad-core processing power at only 10 watts power consumption, DE-1000 series is definitely an ideal solution for ultimate computing performance, energy efficiency, and superior reliability. Designed with rich I/O, high flexibility and easy expansion capabilities, DE-1000 series is ideal for diverse industrial applications. It offers multiple I/O extension modules, including up to 2x PCI or 2x PCIe x1 slot for flexible integration of a variety of add-on cards; 2x mini-PCIe slot for GSM and WLAN wireless communication; it also supports three storage expansions: 2.5" SATA HDD, CFAST and SIM card. Supporting power ignition function, DE-1000 series can meet various applications, such as: surveillance, in-vehicle, and industrial automation applications, etc. DE-1000 series supports wide temperature range from -25°C to 70°C, wide range 9~48VDC power input, power protection, cable-less and one-piece housing design, as well as compliant with 50121-3-2 certification for rail transportation applications; it is designed to ensure stable operation in robust and harsh environments.

Key Features

- Onboard Intel® Atom™ E3845 Processor Quad Core, 1.91GHz
- 2x DDR3L SO-DIMM Max. up to 8GB
- Dual Independent Display from 1x DVI-I and 1x DisplayPort
- 2x Intel® GbE Port, Support Wake-on-Lan and PXE
- 1x USB 3.0, 4x USB 2.0
- 6x RS232/422/485 Port with 5V/12V Power
- 4x Isolated DI, 4x Isolated DO
- 2x 2.5" SATA SSD/HDD Bay, 1x mSATA (Shared by Mini-PCIe Socket), 1x CFAST Card and 1x SIM Card Socket
- 9~48VDC Power Input, Support AT/ATX Mode
- 2x Mini-PCIe Slot for Wi-Fi, GSM, or I/O Expansion
- Power Ignition
- EN50121-3-2 Certified/ EN62368-1

Certifications



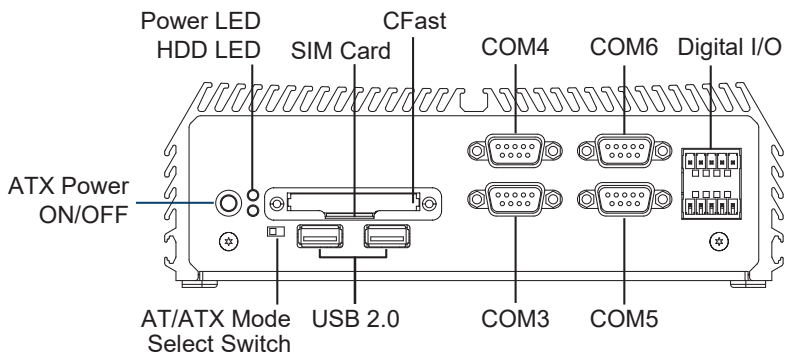
Specifications

Model Name	DE-1000
System	
Processor	• Onboard Intel® Atom™ Processor E3845 Quad Core, 1.91 GHz
BIOS	• AMI 64Mbit SPI BIOS
Memory	• 2x 204-Pin DDR3L 1066 / 1333MHz SO-DIMM (un-buffered and non-ECC), Max. up to 8GB
Graphics	
Graphics Engine	• Intel® HD Graphics Max. 792 MHz
Dual Display	<ul style="list-style-type: none"> • 1x DVI-I and 1x DisplayPort (2560 x 1600) • 1x DVI-D and 1x VGA (with optional split cable) • 1x DisplayPort and 1x VGA (with DVI-I to VGA adapter)
Storage	
SSD / HDD	• 2x 2.5" SATA HDD Bay
mSATA	• 1x Internal mSATA Slot (Shared by Mini-PCle Socket)
CFast Socket	• 1x External CFast Socket
SIM Socket	• 1x External SIM Card Socket
I/O	
Connector	• 1x DVI-I
DisplayPort	• 1x DisplayPort
LAN	• 2x GbE LAN Port (Intel® i210, Support Wake-on-LAN and PXE)
Mic-in	• 1x Mic-in and 1x Line-out (Codec: Realtek ALC888S)
USB	<ul style="list-style-type: none"> • 1x USB 3.2 Gen1 Port • 4x USB 2.0 Port
Isolated	• 1x 4 Isolated DI & 4 Isolated DO Port
COM	• 6x COM (DB9, RS232/422/485 with Auto Flow Control)
PS/2 Port	• 1x PS/2 Port
Antenna	• 2x Antenna Hole
Power Switch	• 1x Power Switch
AT/ATX Switch	• 1x AT/ATX Switch
Remote Power Connector	• 1x Remote Power Connector and Reset Connector
Expansion	
Mini PCIe	• 2x Full-size Mini PCIe Socket for Wi-Fi / GSM / Expansion Module
Other Function	
WatchDog Timer	• Software Programmable Supports 256 Levels System Reset
Power Requirement	
Power Mode	• AT / ATX
Power Supply Voltage	• 9~48VDC
Terminal Block	• One 3-pin Terminal Block Connector
Power Adapter	• Optional Power Adapter AC/DC 12V/5A 60W

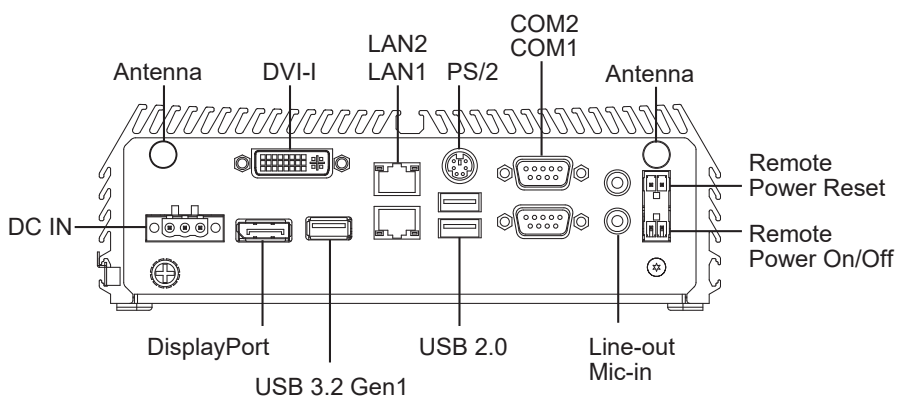
Physical	
Dimension (W x D x H)	• 203 x 200 x 65mm
Weight	• 2.84 kg
Construction	• Aluminum Chassis with Fan-less Design
Mounting	• Wall Mounting (Optional Side/VESA/DIN-Rail Mounting)
Physical Design	• Cable-less Design
Digital Input & Output	
Digital Input	<ul style="list-style-type: none"> • 4x Digital Input (Source Type) - Input Voltage (Dry Contact): Logic 0: Close to GND Logic 1: Open - Input Voltage: Logic 0: 3V max. Logic 1: 5V min. (DI to COM-)
Digital Output	<ul style="list-style-type: none"> • 4x Digital Output - Supply Voltage: 9~30VDC - Sink Current: 580 mA Max. Per Channel
Operating System	
Windows®	<ul style="list-style-type: none"> • Windows® 10 • Windows® 8 • Windows® Embedded 8 Standard • Windows® 7 • Windows® Embedded Standard 7
Linux	• Supports by Project
Environment	
Operating Temperature	• -25°C to 70°C (ambient with air flow; with Industrial Grade Peripherals)
Storage Temperature	• -30°C to 85°C
Relative Humidity	• 10%~95% (non-condensing)
Shock	• 50 Grms (With SSD According to IEC 60068-2-27, Half Sine, 11ms Duration)
Vibration	• Random: 5 Grms (With SSD According to IEC 60068-2-64, 5~500Hz, 1 hr/axis)
EMC	<ul style="list-style-type: none"> • CE, UKCA, FCC, ICES-003 Class A • EN 50155 (EN 50121-3-2 Only)
EMI	<ul style="list-style-type: none"> • CISPR 32 Conducted & Radiated: Class A • EN/BS EN 50121-3-2 Conducted & Radiated: Class A • EN/BS EN IEC 61000-3-2 Harmonic current emissions: Class A • EN/BS EN61000-3-3 Voltage fluctuations & flicker • FCC 47 CFR Part 15B, ICES-003 Conducted & Radiated: Class A
EMS	<ul style="list-style-type: none"> • EN/IEC 61000-4-2 ESD: Contact: 6 kV; Air: 8 kV • EN/IEC 61000-4-3 RS: 80 MHz to 1000 MHz: 20 V/m • EN/IEC 61000-4-4 EFT: AC Power: 2 kV; Signal: 2 kV • EN/IEC 61000-4-5 Surges: AC Power: 2 kV • EN/IEC 61000-4-6 CS: 10V • EN/IEC 61000-4-8 PFMF: 50 Hz, 1A/m • EN/IEC 61000-4-11 Voltage Dips & Voltage Interruptions: 0.5 cycles at 50 Hz
Safety	• LVD IEC/EN 62368-1

External Layout

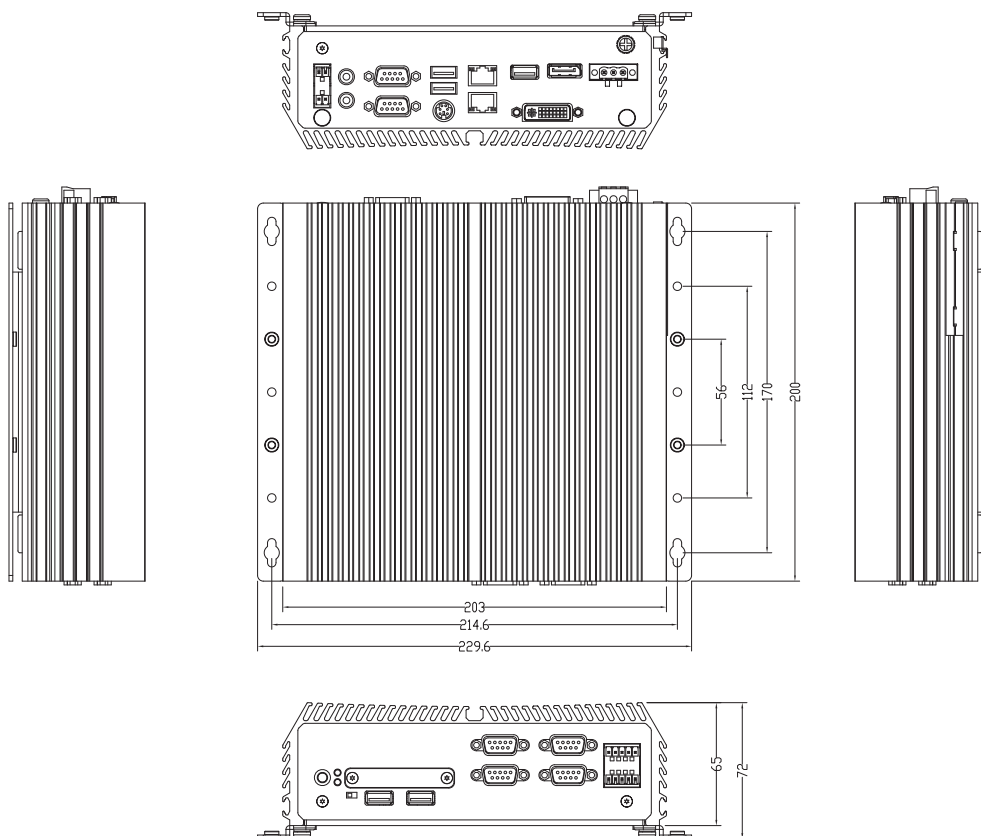
Front I/O



Rear I/O



Dimensions



Unit: mm

Ordering Information

Available Models

Model No.	Description
DE-1000	Intel® Atom™ E3845 Quad Core Power Efficient Fanless Computer

Package Checklist

• DE-1000 Embedded System x 1	• Remote Power Terminal Block Connector x 2
• DIO Terminal Block Connector x 2	• DVI-I to VGA Adapter x 1
• Power Terminal Block Connector x 1	• Screw Pack x 1
• Wall Mount Kit x 1	

Optional Accessories

Model No.	Description
GST60A12-CIN1	Adapter AC/DC 12V 5A 60W with 3pin Terminal Block Plug 5.0mm Pitch, Level VI
RSD-200D-24	Railway Single Output DC-DC Converter 200W / DC 24V
SL2-SL3	US 2 heads power cord, US B type to IEC C13, SVT 18AWG/3C Black 1.8M SL-2+SL-3
SL6-SL3	EU 2 heads power cord, EU G type to IEC C13, H05VV-F 0.75mm2/3G Black 1.8M SL-6+SL-3
QP026-SL3	UK 2 heads power cord, UK I type to IEC C13, H05VV-F 0.75mm2/3G Black 1.8M QP026+SL-3
VESA-DE	DE series VESA Mount Kit
SIDE-DE	DE series SIDE Mount Kit
DINRAIL	Diamond series DIN-RAIL Mount Kit